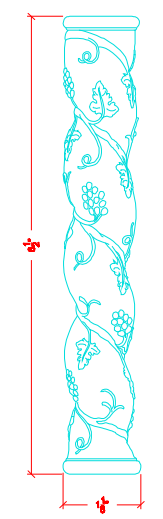


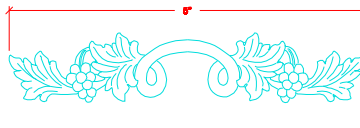
CABINET CONSTRUCTION	
LOCATION:	KITCHEN
MANUFACTURER:	GLIVE
CABINET STYLE:	BEADED INSET
DOOR STYLE:	VICTORIAN
PRIMARY DRAWERS:	VICTORIAN
SECONDARY DRAWERS:	STANDARD
DRAWER BOX:	STANDARD
DRAWER GLIDES:	STANDARD
P.L.O. CONSTRUCTION:	STANDARD
P.L.O. GLIDES:	STANDARD
EDGE TAPE:	STANDARD
INTERIOR FINISH:	STANDARD
HINGE TYPE:	STANDARD
DOOR HARDWARE:	TBD
DRAWER HARDWARE:	TBD
WOOD SPECIES:	IMPERIAL OAK W/ BURLACENTS
EXT. FINISH 1:	IMPERIAL OAK
TOE KICK:	STANDARD
TOE KICK MOLDING:	NONE
CROWN MOLDING:	TBD
LIGHT VALANCE:	TBD

SITE INFORMATION	
FINISH FLOOR TO FINISH CEILING HEIGHTS:	
FINISH FLOOR TO FINISH BOFFIT HEIGHTS:	
FINISH FLOOR THICKNESS:	
DRYWALL CORNERS:	RADIUS: SQUARE
COUNTERTOP MATL:	BY:
WINDOW CASING:	Y/N W: D:
DOOR CASING:	Y/N W: D:
PLUMBING:	BY OTHERS
ELECTRICAL:	BY OTHERS
OTHER:	

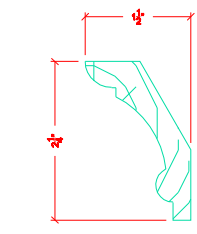
CLIENT APPROVED APPLIANCES		
APPLIANCE	BRAND	MODEL NO.
REFRIGERATOR	SUB-ZERO	601R
FREEZER	SUB-ZERO	601F
REFRIGERATOR DRAWER	SUB-ZERO (d2)	700BR
MICROWAVE	SHARP	R-600CB
ICE MAKER	SCOTTSMAN	DCI 33 PA-1WB
STEAMER	GAGGENAU	VK 220-610
RANGE W/ GRIDDLE	Viking	VD804
HOOD	Viking	CUSTOM 66-1/2"
DISHWASHER	FISHER PAYKEL (d4)	DD602
SINK	FRANKE	VNO-120-46
MICROWAVE TRIM KIT	Viking	DM06



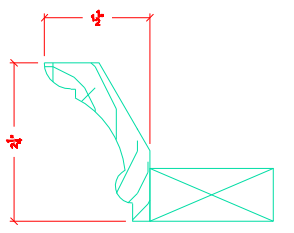
2 Columns from Enkeboll
SCALE: 1/4"



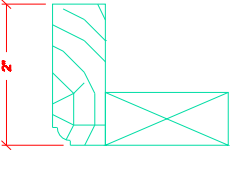
3 CROWN DETAIL @ COLUMNS
SCALE: 1/4"



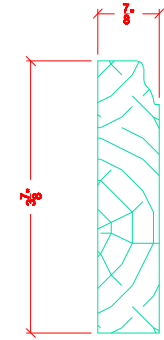
5 CC 2.25 CROWN MOLDING
SCALE: 1/4"



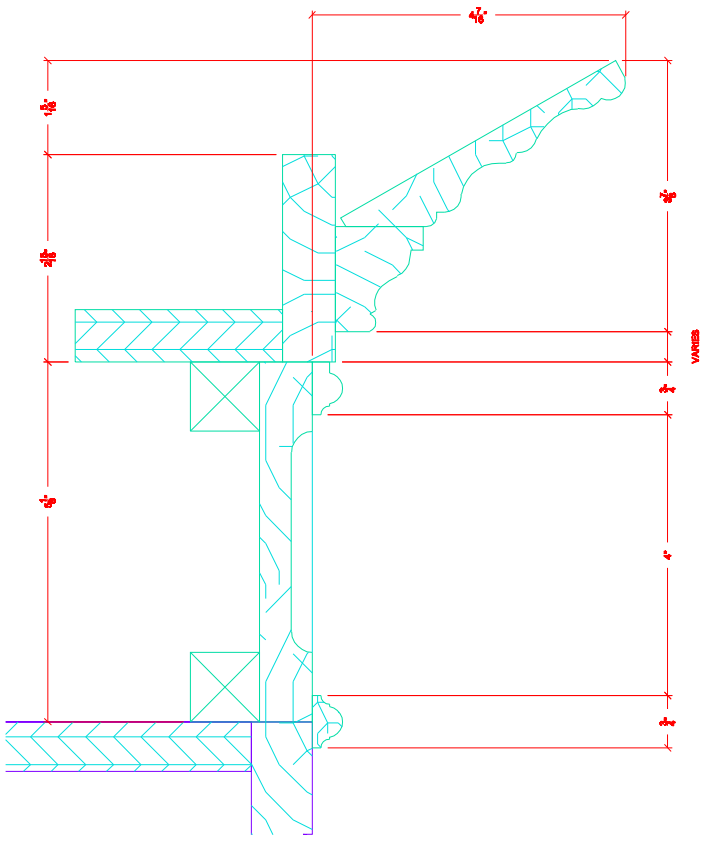
4 CC 2.25 CROWN MOLDING WITH CLEAT
SCALE: 1/4"



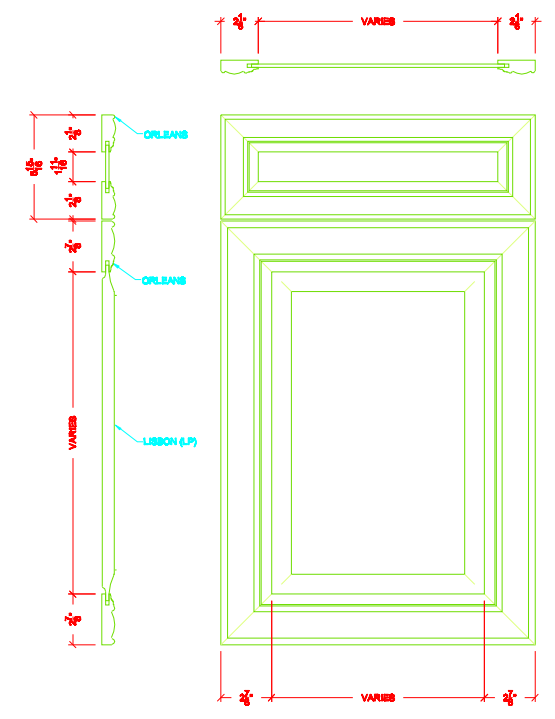
6 CC LAM- UPPER
SCALE: 1/4"



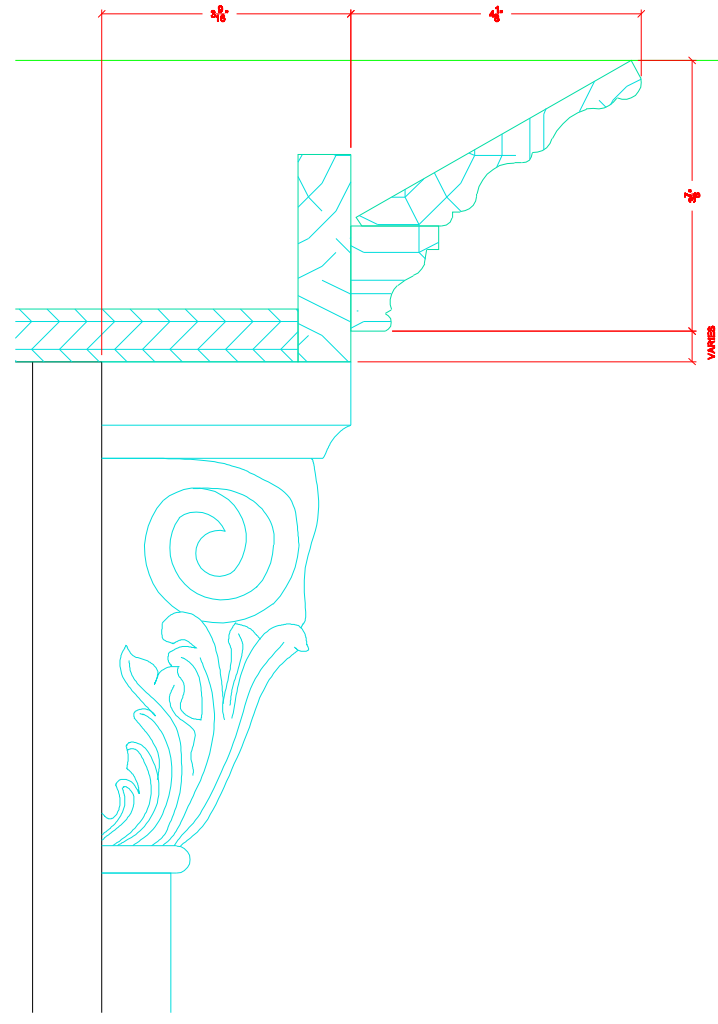
7 POTB
SCALE: 1/4"



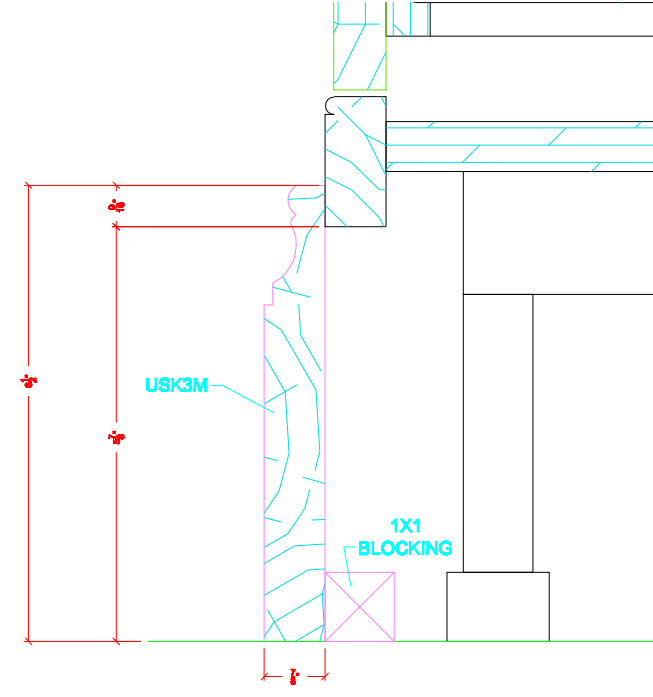
9 CROWN AND FRIEZE DETAIL
SCALE: 1/4"



1 DOOR & DRAWER FRONT DETAIL
SCALE: 3/4"



8 CROWN DETAIL @ COLUMNS
SCALE: 1/4"



10 CROWN AND FRIEZE DETAIL
SCALE: 1/4"

Indsys Computers
E-150, 2nd Floor, Greater Kailash - 2
New Delhi-110 048 Tel:011-40537460
www.indsyscomputers.com

SAMPLE HOUSE1

FILE NAME	LF SAMPLE1
DATE	
X-REFS	
X-REFS	